



Holy Stone Enterprise Co., Ltd

MO-RXLC-A

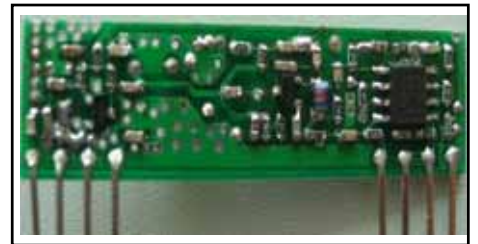
SUPER-REGENERATION RECEIVER MODULE

315/434 MHz ASK RECEIVER

Description

MO-RXLC-A is an ASK receiver module. The MO-RXLC-A is based on a single-conversion ,super-regeneration receiver architecture .It can use in OOK / HCS / PWM modulation signal and demodulate to digital signal. MO-RXLC-A had a high performance and easily to design your product.

It can be used on wireless security system or specific remote-control function and others wireless system

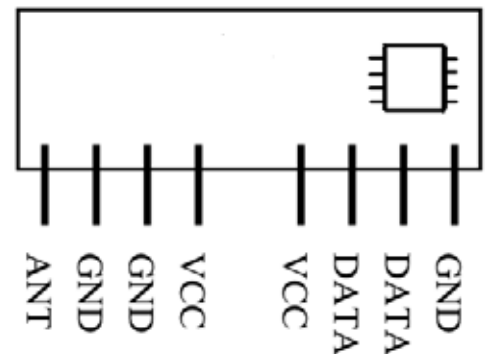


Features

- Low power consumption.
- Easy for application.
- Operation temperature range : - 40°C ~ +80°C
- Operation voltage : 5 Volts.
- Available frequency at : 315/434 MHz

Applications

- Car security system
- Remote keyless entry
- Garage door controller
- Home security
- Wireless mouse
- Automation system



Product Identification

| | |
|-----------|---------------|
| 315MHz | MO-RXLC-A315M |
| 433.92MHz | MO-RXLC-A434M |

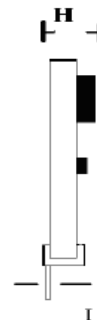
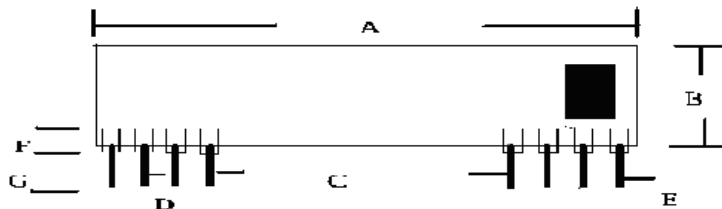
Absolute Maximum Ratings

| Parameter | Rating | Units |
|-----------------------|---------|-------|
| Supply Voltage | 5.0 | V DC |
| Operating Temperature | -40~+80 | °C |

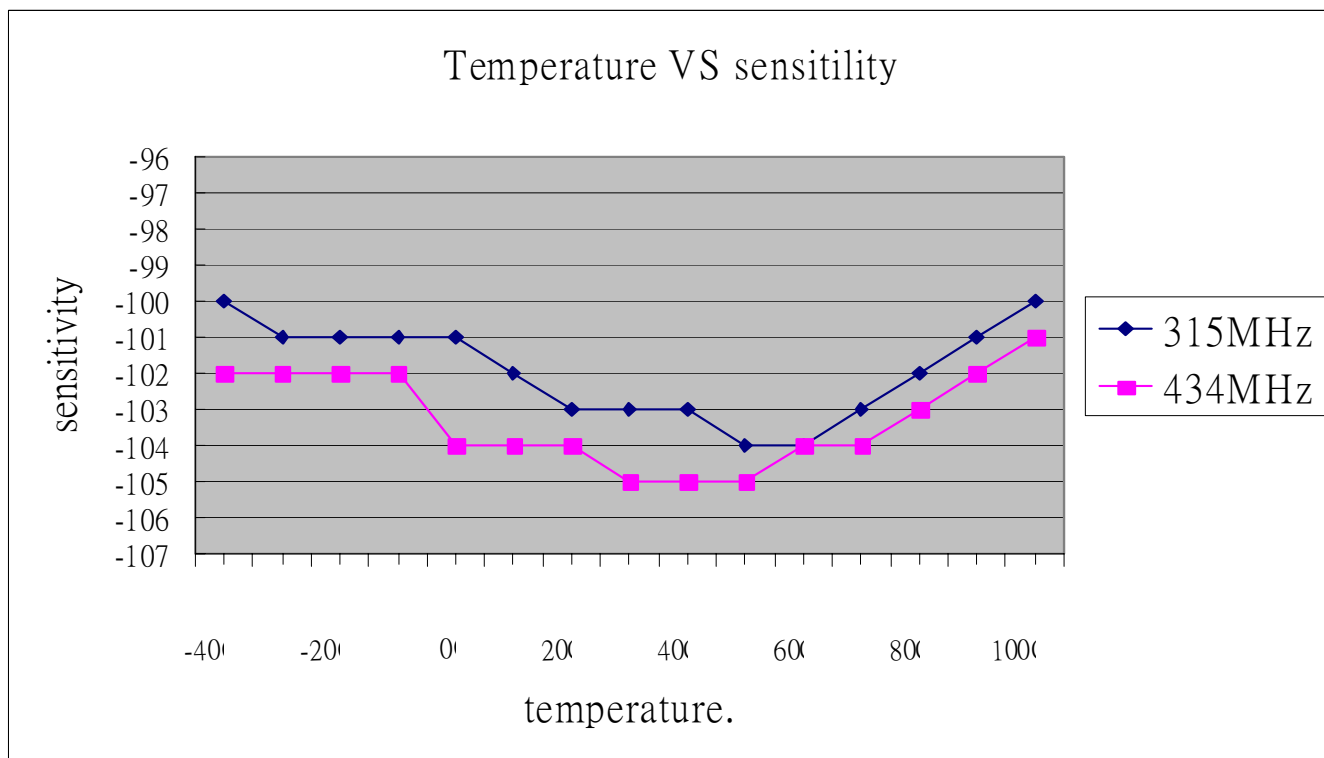
Absolute Maximum Ratings

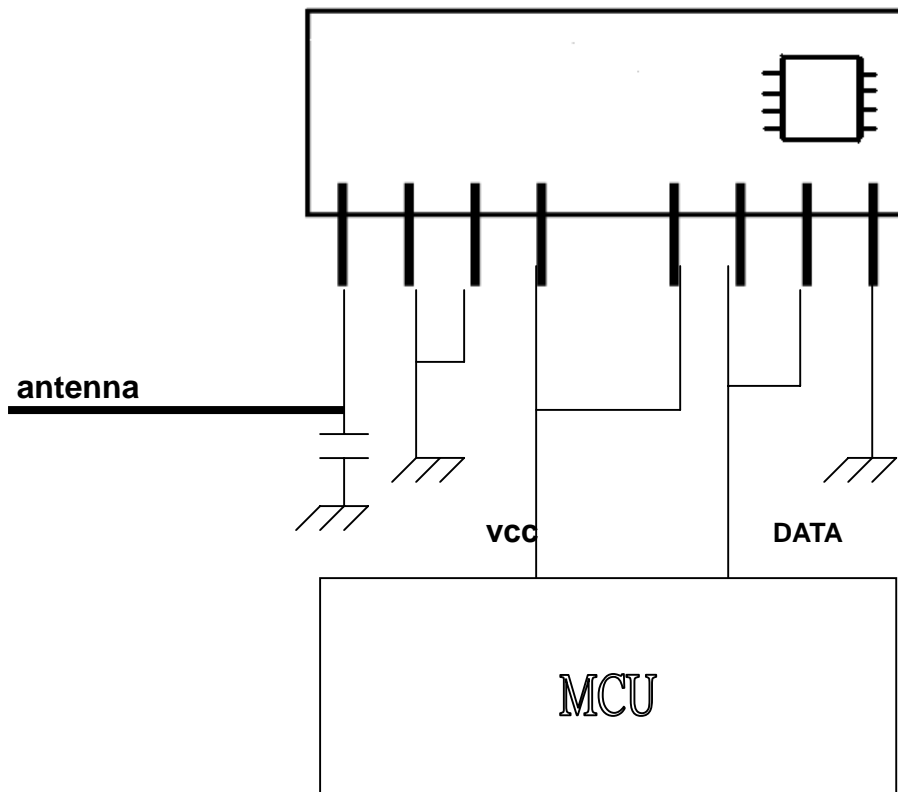
| Parameter | Symbol | Condition | Specification | | | Unit |
|--------------------|--------|-------------------------------|---------------|---------|---------|------|
| | | | Min. | Typical | Max. | |
| Operation Voltage | | | 3.5 | 5 | 5.5 | V |
| Sensitivity | Psens | Vcc=5.0V, 1Kbps Data Rate | 315MHz | -104 | --101 | dBm |
| | | | 434MHz | --104 | --101 | dBm |
| ASK out logic HIGH | VOH | Iload = 30 μA | 0.7*Vcc | | | V DC |
| ASK out logic LOW | VOL | Iload = 30 μA | | | 0.3*vcc | V DC |
| Supply current | Icc | | | 3.5 | 4.5 | mA |
| Tune on Time | Ton | Data start out by Vcc turn on | | 25 | | ms |
| Data Rate | | | 300 | 1k | 6k | bps |
| Output duty | | Vcc=5V; 1kbps data rate | 40 | | 60 | % |

Pin Dimension



| Dimensions | Millimeters | Dimensions | Millimeters |
|------------|---------------|------------|---------------|
| A | 43.5 + 0.25mm | F | 2.50 + 0.15mm |
| B | 12 + 0.25mm | G | 3.50 + 0.15mm |
| C | 25.2 + 0.30mm | H | 7.2 + (MAX) |
| D | 2.54 + 0.05mm | I | 0.32 + 0.05mm |
| E | 0.65 + 0.05mm | | |



Appication**Mark:**

1. Antenna length about :23cm for 315MHz
17cm for 434mHz
2. Receiver range about 100m with MO-TX4915-A315M (MO-TX4915-A315M) Module
about 120m with MO-SAWR-A315M(MO-SAWR-A434M) module
(Tested in open space)